



PRICING & SPONSORSHIP

LAS VEGAS

29 SEPT – 1 OCT 2026

Location:

Palms Casino Resort
4321 W. Flamingo Rd
Las Vegas, NV 89103



TABLE OF CONTENTS

3	Pricing List: Attendee Tickets
4	Pricing List: Exhibition
5	Pricing List: Exhibition Booths & Meeting Rooms
6	Pricing List: Meeting Suites
7	Pricing List Sponsorship: Main, WIFI, Gold, Pitch Your Product, Silver, Bronze
8	Main Sponsorship Package: Main
9	WIFI Sponsorship Package: WIFI
10 – 11	Gold Sponsorship Packages: Gold
12	Pitch Your Product Sponsorship Package: Pitch Your Product
13	Silver Sponsorship Packages: Silver
14	Bronze Sponsorship Packages: Bronze
15	Hotel Map: Plan
16	Showfloor: Plan
17	Exhibitor Booths: Details
18	Meeting Rooms: Pictures & Details
19	Registration & Contact: Details



PRICING LIST

Prices do not include VAT

ATTENDEE TICKETS	MEMBER		NON-MEMBER	
	ONLINE	ONSITE	ONLINE	ONSITE
3-Day Pass	\$ 799,00	\$ 975,00	\$ 1.799,00	\$ 1.975,00
FTA & Inventor’s 3-Day Pass <i>available only for FTA or product inventors which company and attendee have never been to the ERA Global conferences. Please contact us for pre-approval. Generally, ERA Global reserves the right to reject an application as FTA or inventor after detailed examination of the registration.</i>	n/a	n/a	\$ 485,00	\$ 799,00



PRICING LIST

Prices do not include VAT

EXHIBITION	MEMBER		NON-MEMBER	
	ONLINE	ONSITE	ONLINE	ONSITE
<p>Business Club Table <i>including 1 x 3-Day Pass</i></p> <p><i>1 table with 4 chairs (electricity will be provided on separate charging stations) on the Showfloor.</i></p> <p>Special offer: <i>Book your company's Business Club Table for all ERA Global Events & get the last for free (at least 3 Business Club Tables need to be booked online)</i></p>	\$ 1.699,00	n/a	\$ 2.899,00	n/a
<p>FTA (First time attendee) & Inventor's Table <i>including 1 x 3-Day Pass</i></p> <p><i>1 table with 4 chairs (electricity will be provided on separate charging stations) in the FTA & Inventors' Corner on the Showfloor.</i></p> <p><i>This table is only for FTA or product inventors whose company and attendee have never been to the ERA Global Conferences.</i></p> <p><i>Please note that ERA Global reserves the right to reject your application as FTA or Inventor after a detailed examination of your registration.</i></p>	n/a	n/a	\$ 1.100,00	n/a

PRICING & SPONSORSHIP
LAS VEGAS, 29 SEPT – 1 OCT 2026

PRICING LIST

Prices do not include VAT

EXHIBITION BOOTHS	MEMBER		NON-MEMBER	
	ONLINE	ONSITE	ONLINE	ONSITE
Exhibition Booth 3 x 2 m <i>including 1 x 3-Day Pass</i> <i>1 table with chairs, full digitally printed textile wall, power supply, set-up & tear-down</i>	\$ 2.900,00	n/a	\$ 4.350,00	n/a
MEETING ROOMS *	ONLINE	ONSITE	ONLINE	ONSITE
Avery 80 sqm/daylight <i>including 1 x 3-Day Pass</i>	\$ 5.000,00	n/a	\$ 7.500,00	n/a
Madison A 80 sqm/daylight <i>including 1 x 3-Day Pass</i>	\$ 5.000,00	n/a	\$ 7.500,00	n/a
Madison B 80 sqm/daylight <i>including 1 x 3-Day Pass</i>	\$ 5.000,00	n/a	\$ 7.500,00	n/a
Harper A 70 sqm/daylight <i>including 1 x 3-Day Pass</i>	\$ 5.000,00	n/a	\$ 7.500,00	n/a
Harper B 65 sqm/daylight <i>including 1 x 3-Day Pass</i>	\$ 5.000,00	n/a	\$ 7.500,00	n/a
Harper C 63 sqm/daylight <i>including 1 x 3-Day Pass</i>	\$ 5.000,00	n/a	\$ 7.500,00	n/a
Harper D 65 sqm/daylight <i>including 1 x 3-Day Pass</i>	\$ 5.000,00	n/a	\$ 7.500,00	n/a
Kennedy A+B 120 sqm/ daylight <i>including 1 x 3-Day Pass</i>	\$ 5.000,00	n/a	\$ 7.500,00	n/a

*NOTE: Rental fees include 3 conference days and half a set-up day.

PRICING LIST

Prices do not include VAT

MEETING SUITES*	MEMBER	NON-MEMBER
<p>Meeting Suites for single/double use including 1 x 3-Day Pass</p> <p><i>The large and modern living area includes a sofa and a dining table with 6 chairs. The separated and spacious bedroom with king bed is connected to the luxurious bathroom.</i></p>	\$ 3.000,00	\$ 5.000,00



***Note:** Suites can be booked through ERA GLOBAL for 4 nights minimum stay (Monday to Friday). Please note that no furniture can be removed – only additional banqueting chairs can be provided. Please contact us for further information. No breakfast included.

PRICING & SPONSORSHIP
LAS VEGAS, 29 SEPT – 1 OCT 2026



PRICING LIST SPONSORSHIP

Prices do not include VAT

All Main, WIFI, Gold, Pitch Your Product, Silver and Bronze Sponsors will receive acknowledgment:

- as a sponsor when- and wherever the conference is publicized.
- wherever the ERA Global Las Vegas 2026 sponsors are collectively listed.
- on the conference website and in the ERA GLOBAL conference communication.

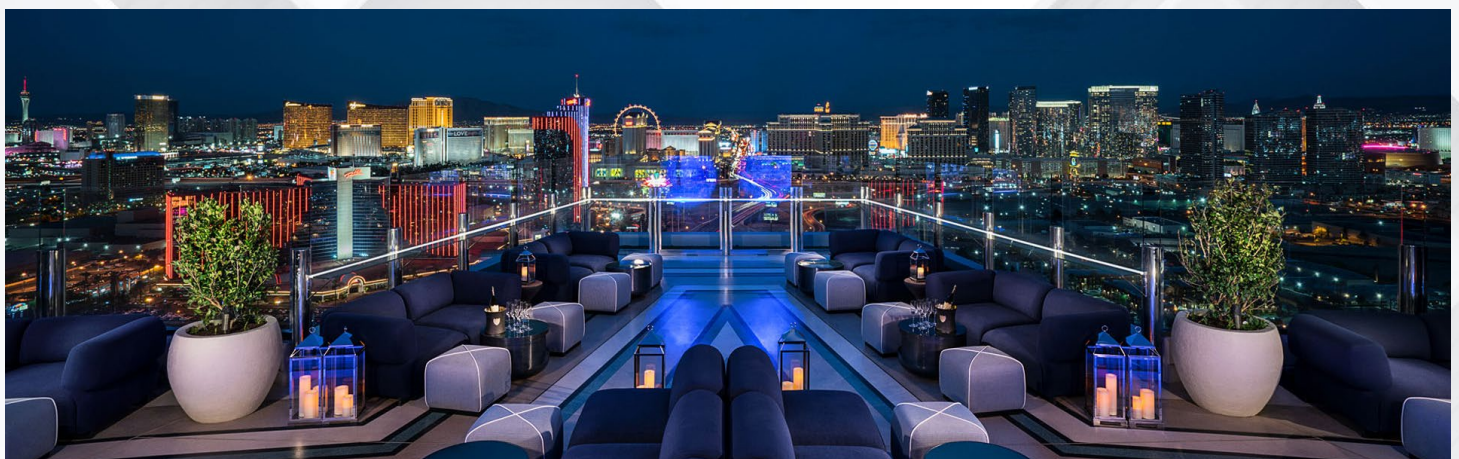
Please find below the pricing for the sponsorship packages and on the next pages an outline of the specific benefits per each package. For customized sponsorship packages please contact us directly.

PACKAGE	MEMBER	NON-MEMBER
MAIN <i>incl. 3 free registrations</i>	\$ 15.000,00	\$ 20.000,00
WIFI <i>incl. 4 free registrations</i>	\$ 10.000,00	\$ 15.000,00
GOLD <i>incl. 3 free registrations</i>	\$ 7.000,00	\$ 10.500,00
PITCH YOUR PRODUCT <i>incl. 3 free registrations</i>	\$ 6.000,00	\$ 9.500,00
SILVER <i>incl. 2 free registrations</i>	\$ 5.000,00	\$ 7.500,00
BRONZE <i>incl. 1 free registration</i>	\$ 2.800,00	\$ 4.200,00

PRICING & SPONSORSHIP
LAS VEGAS, 29 SEPT – 1 OCT 2026

MAIN SPONSORSHIP PACKAGE

PACKAGE	BENEFITS
<p>MAIN</p>	<ul style="list-style-type: none"> ▪ <i>3 free registrations</i> ▪ <i>Welcome Reception in the Ghost Bar with a stunning 360-degree view over Las Vegas, balcony on top of it all as well “sponsored by” with beer, wine and softdrinks (2 h) on the 1st conference day</i> ▪ <i>Branded cocktail napkins with company logo</i> ▪ <i>Co-branding of the conference name badges with your company logo and the ERA Global logo</i> ▪ <i>Opportunity to provide unlimited marketing material and give-aways for the conference bag</i> ▪ <i>Company roll-up at the ERA Global registration desk</i>



PRICING & SPONSORSHIP
 LAS VEGAS, 29 SEPT – 1 OCT 2026



WIFI SPONSORSHIP PACKAGE

PACKAGE	BENEFITS
WIFI	<ul style="list-style-type: none">▪ <i>4 free registrations</i>▪ <i>Personalized WIFI name exclusively with your company name and your company logo to be displayed on all conference WIFI information</i>▪ <i>Opportunity to provide 1 promotional product or give-away for the conference bag</i>▪ <i>WIFI Sponsorship Roll-up at the ERA Global registration desk</i>



GOLD SPONSORSHIP PACKAGES

PACKAGE	BENEFITS
<p>GOLD OPTION 1</p>	<ul style="list-style-type: none"> ▪ 3 free registrations ▪ Company logo on the conference lanyards ▪ Opportunity to provide 1 promotional product or give-away for the conference bag ▪ Company Gold Sponsorship Roll-up at the entrance to the ERA Global Showfloor
<p>GOLD OPTION 2</p>	<ul style="list-style-type: none"> ▪ 3 free registrations ▪ One-side branded conference bag exclusively with your company logo ▪ Opportunity to provide 1 promotional product or give-away for the conference bag ▪ Company Gold Sponsorship Roll-up at the entrance to the ERA Global Showfloor
<p>GOLD OPTION 3</p>	<ul style="list-style-type: none"> ▪ 3 free registrations ▪ Reusable conference water bottle with straw branded with your company logo ▪ Opportunity to provide 1 promotional product or give-away for the conference bag ▪ Company Gold Sponsorship Roll-up at the entrance to the ERA Global Showfloor
<p>GOLD OPTION 4</p>	<ul style="list-style-type: none"> ▪ 3 free registrations ▪ Coffee Mug branded with your company logo ▪ Opportunity to provide 1 promotional product or give-away for the conference bag ▪ Company Gold Sponsorship Roll-up at the entrance to the ERA Global Showfloor



GOLD SPONSORSHIP PACKAGES

PACKAGE	BENEFITS
<p>GOLD OPTION 5</p>	<ul style="list-style-type: none"> ▪ <i>3 free registrations</i> ▪ <i>Networking Lunch Buffet “sponsored by” in the ERA Global Showfloor Foyer</i> ▪ <i>Branded cocktail napkins with company logo</i> ▪ <i>Opportunity to provide 1 promotional product or give-away for the conference bag</i> ▪ <i>Company Gold Sponsorship Roll-up at the entrance to the ERA Global Showfloor</i>
<p>GOLD OPTION 6</p>	<ul style="list-style-type: none"> ▪ <i>3 free registrations</i> ▪ <i>360 Photo Booth with videos including company logo during the Opening Reception</i> ▪ <i>Opportunity to provide 1 promotional product or give-away for the conference bag</i> ▪ <i>Company Gold Sponsorship Roll-up at the entrance to the ERA Global Showfloor</i>



PITCH YOUR PRODUCT PACKAGE

PACKAGE	BENEFITS
PITCH YOUR PRODUCT	<ul style="list-style-type: none">▪ <i>3 free registrations</i>▪ <i>Co-Sponsorship of the Business Speed Dating with your company logo at every Speed Dating table tag</i>▪ <i>Co-Sponsorship "Pitch your product sponsored by" chart on screen in Pitch room before pitches</i>▪ <i>Co-Sponsorship of the "Best Product Inventor" award</i>▪ <i>Opportunity to provide 1 promotional product or give-away for the conference bag</i>▪ <i>Inclusion in all communication related to the "Pitch Your Product" format</i>▪ <i>Placement of company logo on the "Pitch Your Product" roll-up</i>



SILVER SPONSORSHIP PACKAGES

PACKAGE	BENEFITS
SILVER OPTION 1	<ul style="list-style-type: none"> ▪ 2 free registrations ▪ Networking Breakfast Buffet “sponsored by” in the ERA Global Showfloor Foyer ▪ Branded cocktail napkins with company logo ▪ Opportunity to provide 1 promotional product or give-away for the conference bag ▪ Company Silver Sponsorship Roll-up in the ERA Global Showfloor Foyer
SILVER OPTION 2	<ul style="list-style-type: none"> ▪ 2 free registrations ▪ Keynote Reception “sponsored by” on the ERA Global Showfloor with beer, wine and softdrinks (1 h) ▪ Branded cocktail napkins with company logo ▪ Opportunity to provide 1 promotional product or give-away for the conference bag ▪ Company Silver Sponsorship Roll-up in the ERA Global Showfloor Foyer
SILVER OPTION 3	<ul style="list-style-type: none"> ▪ 2 free registrations ▪ Aftershow Get-together “sponsored by” on the ERA Global Showfloor with beer, wine and softdrinks (1 h) on the last conference day ▪ Branded cocktail napkins with company logo ▪ Opportunity to provide 1 promotional product or give-away for the conference bag ▪ Company Silver Sponsorship Roll-up in the ERA Global Showfloor Foyer
SILVER OPTION 4	<ul style="list-style-type: none"> ▪ 2 free registrations ▪ Slim Wireless Charging Pad inclusive company logo ▪ Opportunity to provide 1 promotional product or give-away for the conference bag ▪ Company Silver Sponsorship Roll-up in the ERA Global Showfloor Foyer

PRICING & SPONSORSHIP

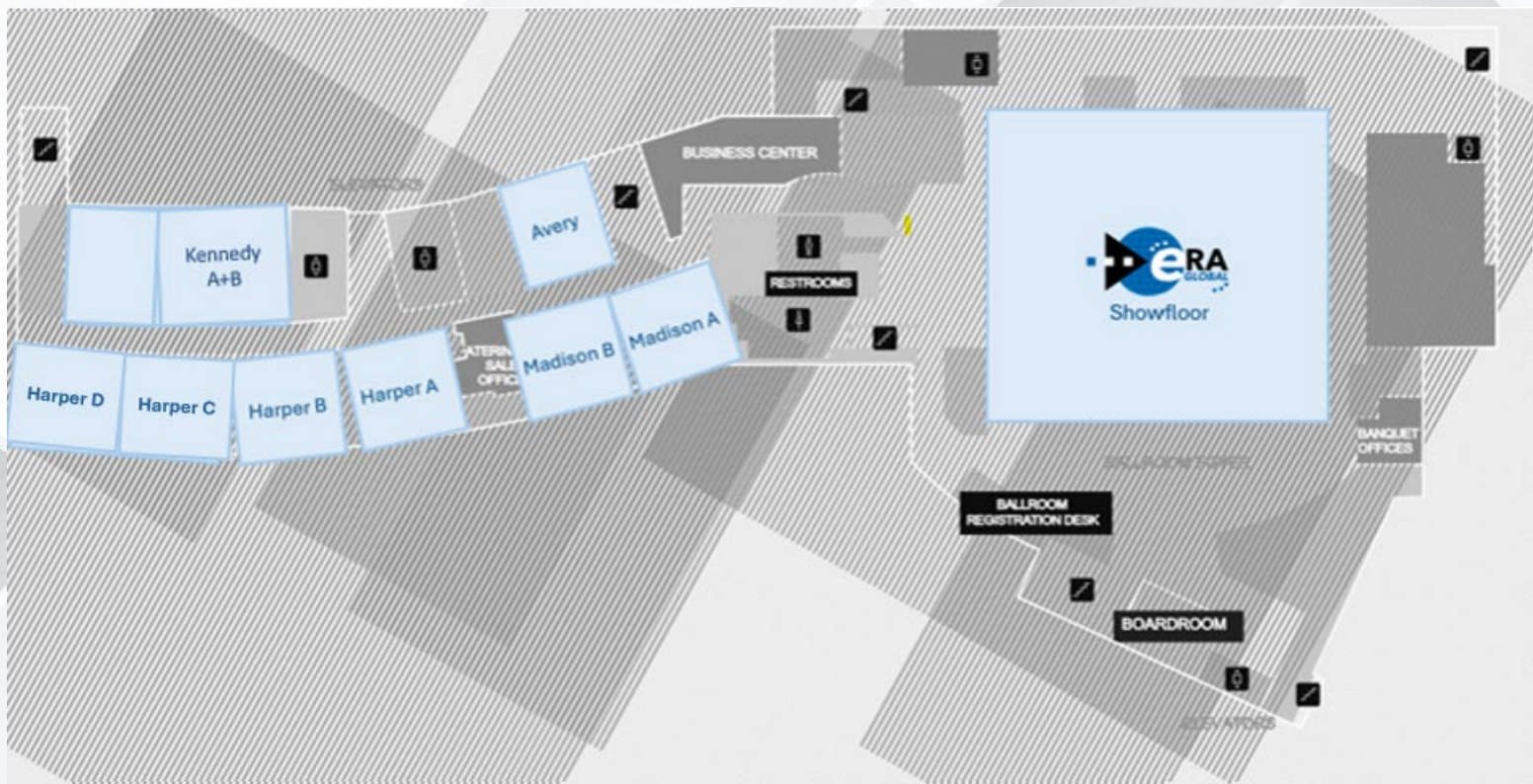
LAS VEGAS, 29 SEPT – 1 OCT 2026



BRONZE SPONSORSHIP PACKAGES

PACKAGE	BENEFITS
BRONZE OPTION 1	<ul style="list-style-type: none"> ▪ 1 free registration ▪ Company logo on every Business Club table tag ▪ Opportunity to provide 1 promotional product or give-away for the conference bag ▪ Company Bronze Sponsorship Roll-up on the ERA Global Showfloor
BRONZE OPTION 2	<ul style="list-style-type: none"> ▪ 1 free registration ▪ Co-Sponsorship of the First Timer & Inventors Corner on the ERA Global Showfloor with your company logo at every table tag ▪ Opportunity to provide 1 promotional product or give-away for the conference bag ▪ Inclusion in all communication about FTA & Inventors' Corner ▪ Company Logo on the FTA & Inventors' Corner roll-up
BRONZE OPTION 3	<ul style="list-style-type: none"> ▪ 1 free registration ▪ Co-Sponsorship of the educational programme with your company logo on the ERA Global Showfloor screen ▪ Opportunity to provide 1 promotional product or give-away for the conference bag ▪ Inclusion in all communication about the educational programme ▪ Company Logo on the Panel & Keynote Roll-up

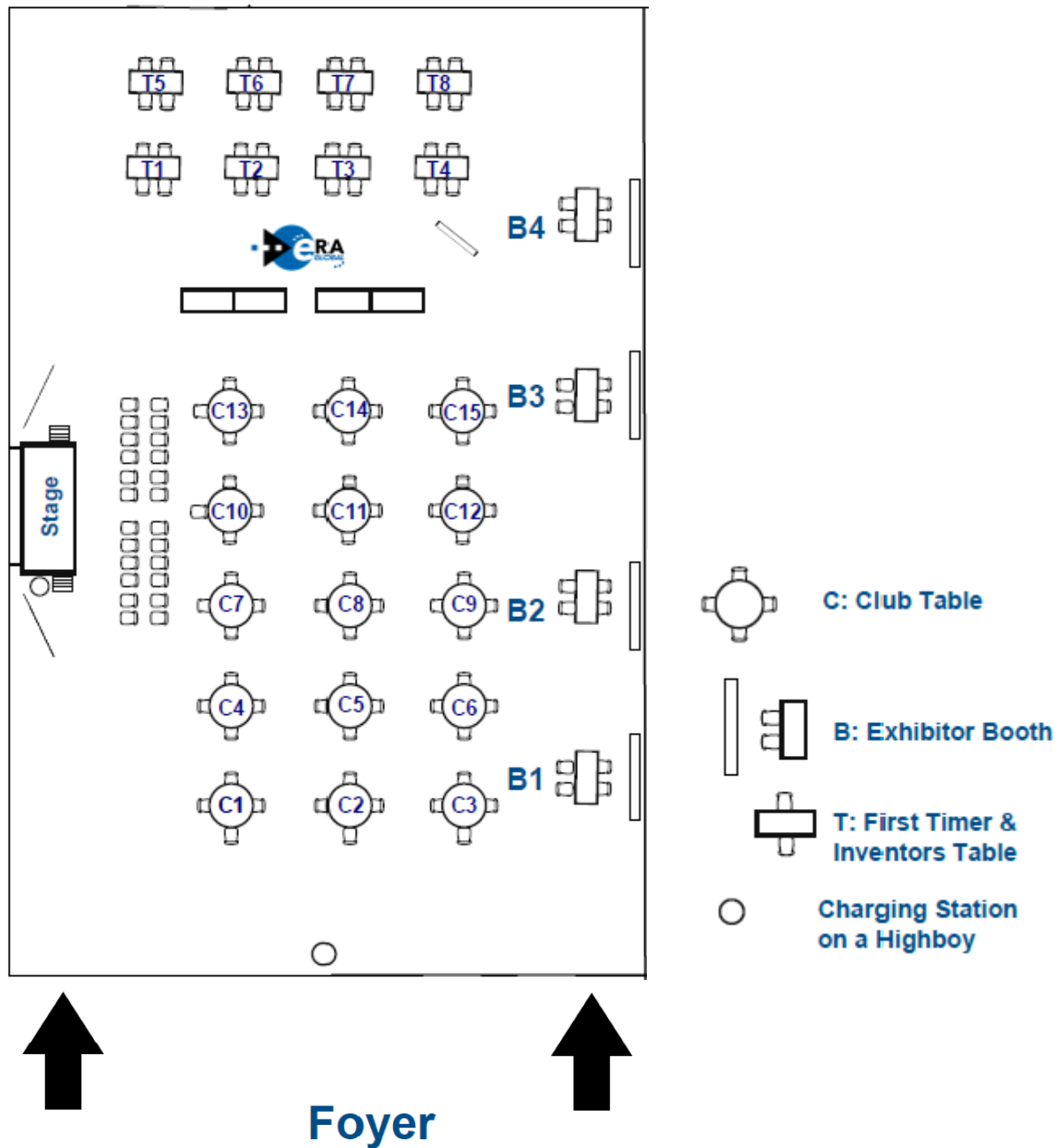
Hotel Map*



**Note: The hotel map serves only as a site plan and does not provide exact information on the size of the conference rooms.*

PRICING & SPONSORSHIP
LAS VEGAS, 29 SEPT – 1 OCT 2026

SHOWFLOOR*

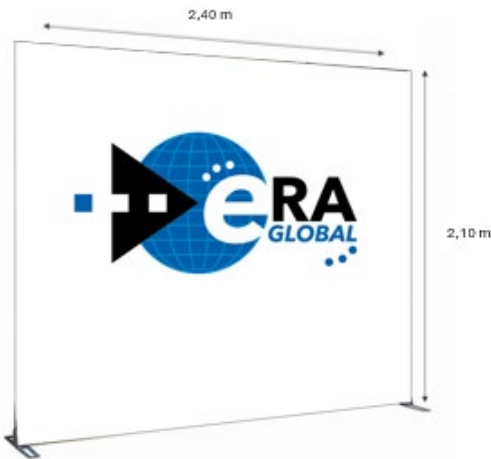


*Note: Changes of the Showfloor set-up under reserve.

PRICING & SPONSORSHIP
 LAS VEGAS, 29 SEPT – 1 OCT 2026

EXHIBITOR BOOTHS

MEASUREMENTS



DETAILS

Pricing includes:

- 2,40 x 2,10 m digitally single sided print booth backwall
- power supply
- table with chairs

The price includes printing, electricity, delivery, installation, teardown and removal.



PRICING & SPONSORSHIP
LAS VEGAS, 29 SEPT – 1 OCT 2026

MEETING ROOMS

EXEMPLARY PICTURES



DETAILS

Meeting Rooms

- Avery:** size 80 sqm
- Madison A:** size 80 sqm
- Madison B:** size 80 sqm

All rooms have natural daylight. There is no technical equipment included in the rooms. For additional equipment please contact: conference@era-global.org

Meeting Rooms

- Harper A:** size 70 sqm
- Harper B:** size 65 sqm
- Harper C:** size 63 sqm
- Harper D:** size 65 sqm
- Kennedy A+B:** size 120 sqm

All rooms have natural daylight. There is no technical equipment included in the rooms. For additional equipment please contact: conference@era-global.org

REGISTRATION & CONTACT



More Information:

Find more information about the conference [HERE](#).

Registration:

For registration please click [HERE](#).



Contact:

For further support please contact the
ERA Global Team
conference@era-global.org

Follow  on social media:

